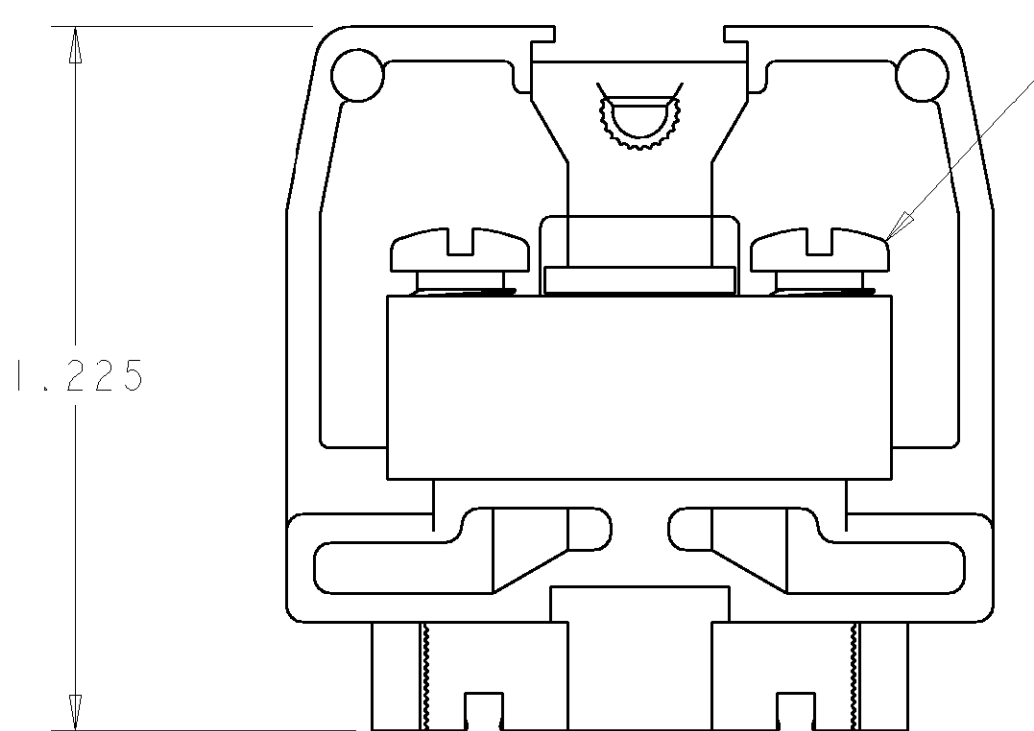
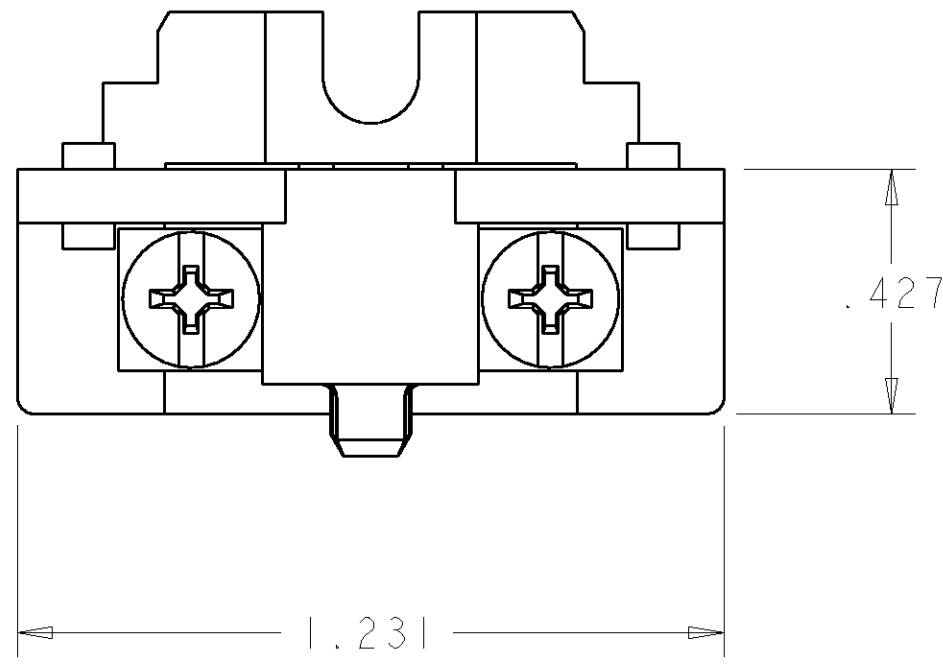


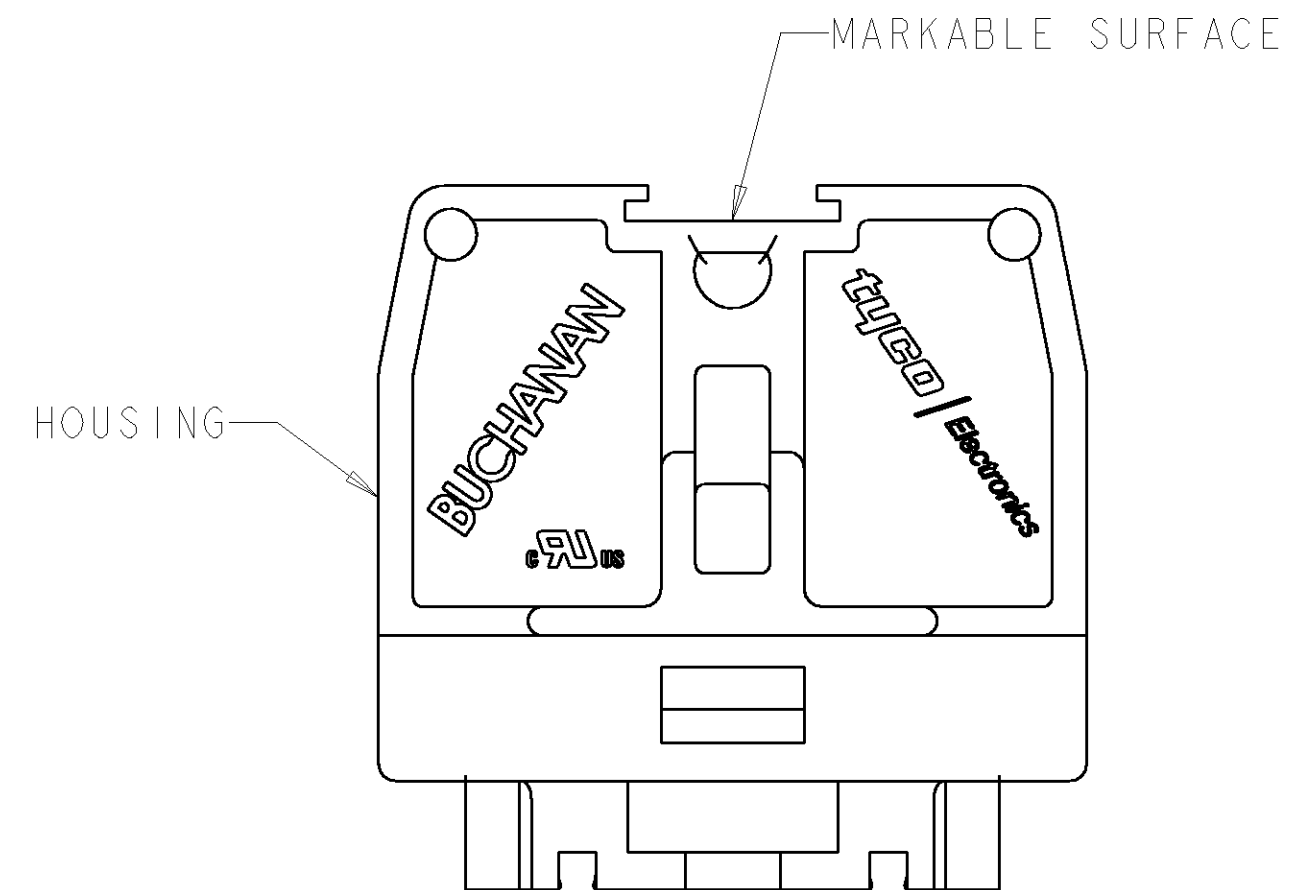
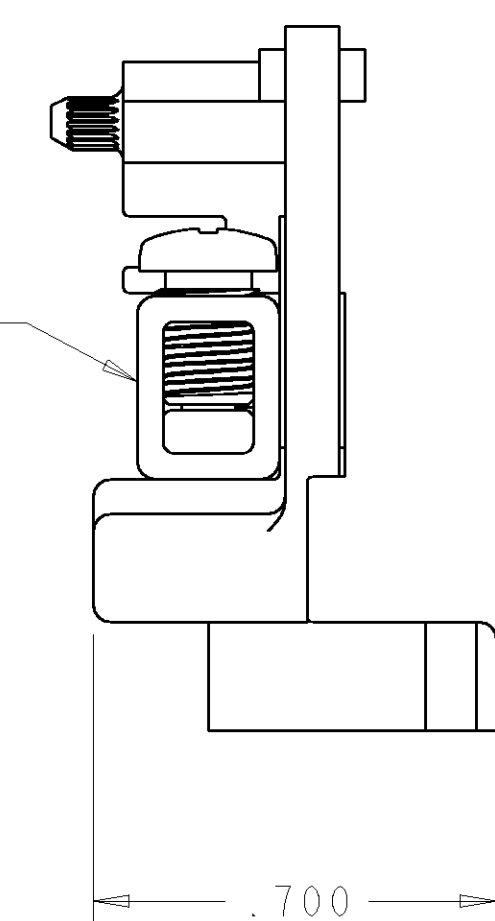
THIS DRAWING IS UNPUBLISHED. RELEASED FOR PUBLICATION 20  
 © COPYRIGHT 20 BY TYCO ELECTRONICS CORPORATION. ALL RIGHTS RESERVED.

LOC	DIST	REVISIONS			
P	LTR	DESCRIPTION	DATE	DWN	APVD
FT	0				
	A	PRELIMINARY	-	-	-
	B	REVISED EC 0G3B-0298-01	12JUN2002	SW	SY
	C	REVISED EC 0G3B-0416-02	26JUL2002	SW	SY



10-32 SCREW ASSY  
QTY: 2

TUBULAR CONTACT



1. PHYSICAL PROPERTIES (STANDARD)  
 HOUSING: POLYESTER, UL 94V-0 RATED, COLOR: GRAY.  
 TUBULAR CONTACT: COPPER ALLOY, ZINC PLATED.  
 SCREW ASSY - SCREW: COPPER ALLOY, ZINC PLATED CLEAR CHROMATE.  
 CUP CLAMP: COPPER ALLOY, UNPLATED.

2. PHYSICAL PROPERTIES (DURAMAX)  
 HOUSING: POLYESTER, UL 94V-0 RATED, COLOR: GRAY.  
 TUBULAR CONTACT: COPPER ALLOY, NICKEL PLATED.  
 SCREW ASSY - SCREW: COPPER ALLOY, NICKEL PLATED.  
 CUP CLAMP: COPPER ALLOY, NICKEL PLATED.

3. MECHANICAL  
 PITCH: .375  
 MOUNTING: DIRECT MOUNT OR MINIATURE CHANNEL.  
 OPERATING TEMPERATURE: 150°C MAX.  
 TORQUE: RECOMMENDED TIGHTENING TORQUE IS 8 IN-LBS.

4. ELECTRICAL  
 MAXIMUM CURRENT: 30A  
 OPERATING VOLTAGE: 600 V  
 WIRE RANGE: 10-22 AWG.

2	1546234-2
1	1546234-1
MATERIAL / FINISH	PART NUMBER

<small>THIS DRAWING IS A CONTROLLED DOCUMENT FOR TYCO ELECTRONICS CORPORATION                  IT IS SUBJECT TO CHANGE AND THE CONTROLLING ENGINEERING ORGANIZATION                  SHOULD BE CONTACTED FOR THE LATEST REVISION.</small>		DWN S. WELDON 15 JAN 2002	<b>BUCHANAN</b> Tyco Electronics Harrisburg, PA 17105-3608
DIMENSIONS: INCHES		CHK S. YODER 15 JAN 2002	
		APVD S. YODER 15 JAN 2002	
TOLERANCES UNLESS OTHERWISE SPECIFIED: 0 PLC ± 1 PLC ±0.0 2 PLC ±0.00 3 PLC ±0.010 4 PLC ±0.0000 ANGLES ±		PRODUCT SPEC -	NAME ASSEMBLY, TERMINAL BLOCK, NEMA, FLAT BASE, MEDIUM DUTY, TUBULAR CLAMP
MATERIAL SEE TABLE		APPLICATION SPEC -	SIZE A2
FINISH SEE TABLE		WEIGHT -	CAGE CODE 00779
		CUSTOMER DRAWING	DRAWING NO 1546234
		SCALE 3:1	RESTRICTED TO -
		SHEET 1	REV C